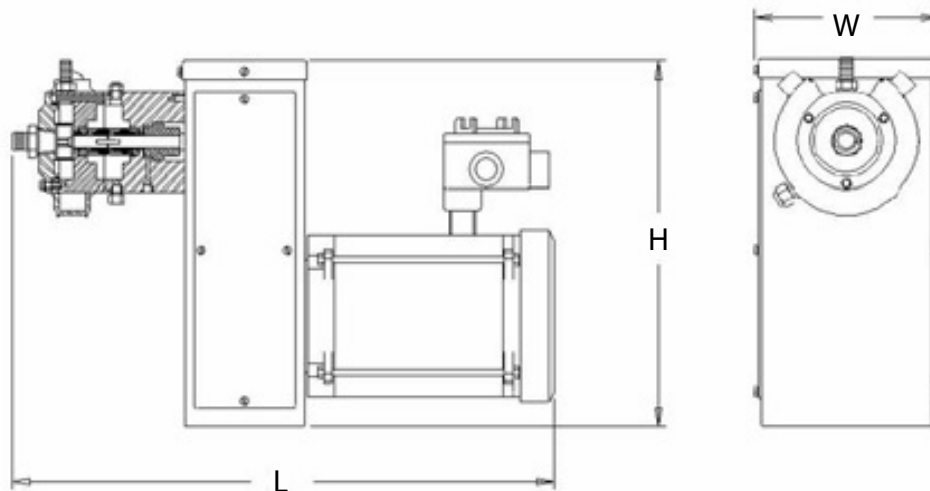


Laboratory Inline High Shear Mixer Model 400DLA Specifications and Dimensions



STANDARD FEATURES:

- 1 HP TEFC motor designed for 115/230 volt, single phase, 50/60 Hz.
- Machine operates at 10,000 rpm.
- Standard single stage rotor/stator complete with disintegrating, slotted and fine screen stator heads.
- Single mechanical seal for operating pressure up to 45 psig with Viton elastomers.
- Stainless steel type 316 wetted parts.
- Designed for bench or floor mounting.
- Non-stainless steel external parts coated with a two-part acrylic urethane enamel coating.

AVAILABLE OPTIONS:

- Special single or double mechanical seals.
- Enclosed drive design including stainless steel work area.
- Stainless steel or carbon steel bench for mounting of machine.
- Sanitary design with special seals, polishes, and connections.
- Special inlet flange with multiple inlets.
- Jacketed mix chamber.
- Recirculation system with vessel, piping, and valves.
- Special motors including explosion proof, stainless steel, washdown and various voltages and frequencies.
- Controls including variable frequency drives, explosion proof operator stations, and Human Machine Interfaces.

| Model | HP | RPM | Rotor Diameter | | Inlet Diameter | | Outlet Diameter | | Overall Length (L) | | Overall Width (W) | | Overall Height (H) | | Weight | | Flow Rate (Water) | |
|--------|----|--------|----------------|----|----------------|----|-----------------|----|--------------------|-----|-------------------|-----|--------------------|----|--------|----|-------------------|-----|
| | | | Inch | mm | Inch | mm | Inch | mm | Inch | mm | Inch | mm | Inch | mm | Lbs | kg | gpm | lpm |
| 400DLA | 1 | 10,000 | 1.375 | 35 | 0.75 | 19 | 0.5 | 13 | 22.6 | 574 | 7.6 | 193 | 14.6 | 37 | 60 | 27 | 10 | 38 |



Charles Ross & Son Company

710 Old Willets Path
Hauppauge, NY 11788
USA

631-234-0500 / 800-243-ROSS(7677)
sales@mixers.com
mixers.com