

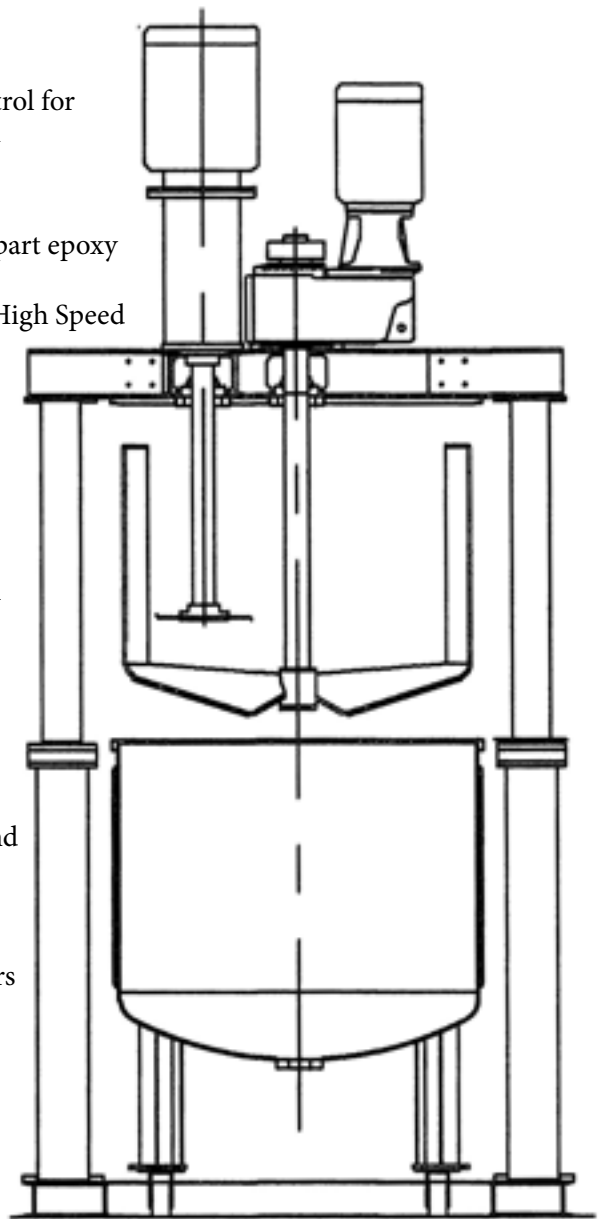
# Dual Shaft (CDA 500 - 1000) Specifications and Dimensions

## STANDARD FEATURES:

- Change can design
- Dual hydraulic cylinder vertical lift design with push button control for raising and lowering agitators to and from the operating position
- Floor mounted design
- Stainless steel type 304 wetted parts with 80 grit polish
- Non-Stainless steel components are finished with a durable two-part epoxy coating
- Two independently-driven agitators including an Anchor and a High Speed Disperser
- Totally enclosed fan cooled (TEFC) motors designed for 230/460 volt, 3 phase, 50/60 Hz
- Safety limit switch to prevent operation of the agitators when the mix vessel is removed from the mixing position

## AVAILABLE OPTIONS:

- Wetted parts of stainless steel type 316, Hastelloy or other special alloys
- Sanitary design with special seals, polishes, connections and carbon or stainless steel mixer sheathing
- Full vacuum and/or internal pressure
- High Shear Rotor/Stator Mixer available in lieu of High Speed Disperser
- Special motors including explosion proof and various voltages and frequencies
- Sight/Charge ports, inlet/outlet nozzles and flush tank discharge valves
- Temperature probes, pressure transducers and other batch sensors
- Jacketed mix vessel for heating and/or cooling
- Internally-machined mix vessel for use with a Ross Discharge System
- Controls including variable frequency drives, explosion-proof operator stations and Human Machine Interfaces
- Vacuum pump, heater and/or chiller and other auxilliary equipment
- Custom agitators and other special features can be incorporated in the design



| Model    | Mixing Capacity | Anchor |     | High Speed Disperser |       | Overall Lowered Height | Overall Raised Height | Overall Width | Overall Length | Mix Vessel Overall Height | Mix Vessel Inside Diameter | Weight |
|----------|-----------------|--------|-----|----------------------|-------|------------------------|-----------------------|---------------|----------------|---------------------------|----------------------------|--------|
|          | Gallons         | HP     | RPM | HP                   | RPM   | Inches                 | Inches                | Inches        | Inches         | Inches                    | Inches                     | Lbs    |
| CDA-500  | 500             | 25     | 23  | 50                   | 1,200 | 152                    | 209                   | 93            | 63             | 81                        | 60                         | 11,500 |
| CDA-1000 | 1,000           | 30     | 30  | 75                   | 900   | 176                    | 252                   | 115           | 75             | 101                       | 72                         | 15,500 |



**CHARLES ROSS & SON COMPANY**

P.O. Box 12308, 710 Old Willets Path, Hauppauge, NY 11788

• Telephone: 631-234-0500 • Fax: 631-234-0691

• Website: [www.mixers.com](http://www.mixers.com) • Email: [sales@mixers.com](mailto:sales@mixers.com)