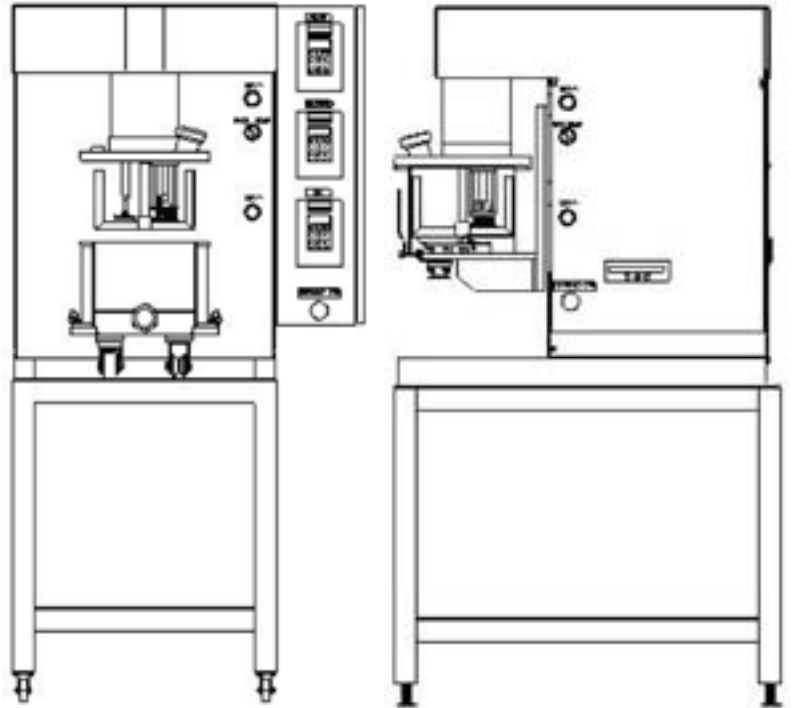


# VersaMix (VMC 1 - 4) Specifications and Dimensions

## STANDARD FEATURES:

- Full vacuum change can design
- Vertical lift design with push button control for raising and lowering mix vessel to and from the operating position
- Integrated base design for mounting on table top or work bench
- Agitator drive components and lift system are fully sheathed
- Stainless steel type 304 wetted parts with 80 grit polish
- Non-Stainless steel components are finished with a durable two-part epoxy coating
- Three independently-driven agitators including an Anchor, High Speed Disperser and High Shear Rotor/Stator Mixer
- Explosion-proof motors designed for 230/460 volt, 3 phase, 50/60 Hz
- Explosion-proof safety limit switch to prevent operation of the agitators when the mix vessel is removed from the mixing position



## AVAILABLE OPTIONS:

- Wetted parts of stainless steel type 316, Hastelloy or other special alloys
- Sanitary design with special seals, polishes, connections and stainless steel mixer sheathing
- Internal pressure
- Special motor voltages and frequencies
- Sight/Charge ports, inlet/outlet nozzles and flush tank discharge valves
- Temperature probes, pressure transducers and other batch sensors
- Jacketed mix vessel for heating and/or cooling
- Internally-machined mix vessel for use with a Ross Discharge System
- Carbon or stainless steel mixer bench for mounting the mixer. Common bench design offered to allow for mounting of mixer and Discharge System
- Controls including variable frequency drives, explosion-proof operator stations and Human Machine Interfaces
- Vacuum pump, heater and/or chiller and other auxilliary equipment
- Custom agitators and other special features can be incorporated in the design

Model	Mixing Capacity	Anchor		High Speed Disperser		High Shear Mixer		Overall Height	Overall Width	Overall Length	Mix Vessel Overall Height	Mix Vessel Inside Diameter	Weight
	Gallons	HP	RPM	HP	RPM	HP	RPM	Inches	Inches	Inches	Inches	Inches	Lbs
VMC-1	0.3 - 0.75	1/2	14 - 135	1	1,000 - 10,000	1	1,000 - 10,000	65	33	36	6.5	8.25	1,000
VMC-2	1 - 1.5	1/2	14 - 135	1	1,000 - 10,000	1	1,000 - 10,000	65	33	36	7.6	9.6	1,000
VMC-4	3 - 4	1	10 - 100	2	660 - 6,600	2	660 - 6,600	68	33	36	9.6	14	1,200



**CHARLES ROSS & SON COMPANY**

P.O. Box 12308, 710 Old Willets Path, Hauppauge, NY 11788

• Telephone: 631-234-0500 • Fax: 631-234-0691

• Website: [www.mixers.com](http://www.mixers.com) • Email: [sales@mixers.com](mailto:sales@mixers.com)