

ROSS Inline High Shear Mixers 700 Series Specifications and Dimensions

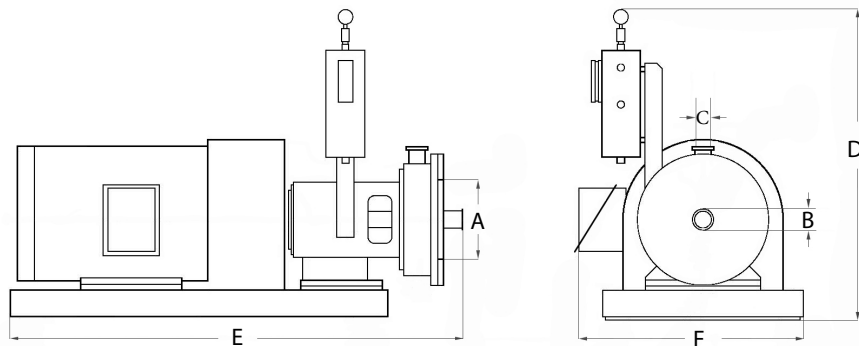
STANDARD FEATURES:

- 10 HP through 300 HP.
- Driven by an explosion proof (Class I, Group D), 230/460 V, 3 Ph, 60 Hz, inverter duty motor.
- Tip speed of 11,300 feet per minute.
- Heavy duty shafts and bearings.
- X-Series, Quad or MegaShear rotor/stator sets.
- High speed double mechanical seals with barrier system.
- Stainless steel type 316 wetted parts.
- Non-stainless steel external parts coated with a two-part acrylic urethane enamel coating.
- Forced cooling of bearing housing oil for continuous processing (706-718).
- NPT threaded connections (703); ANSI flange connections (706-718).

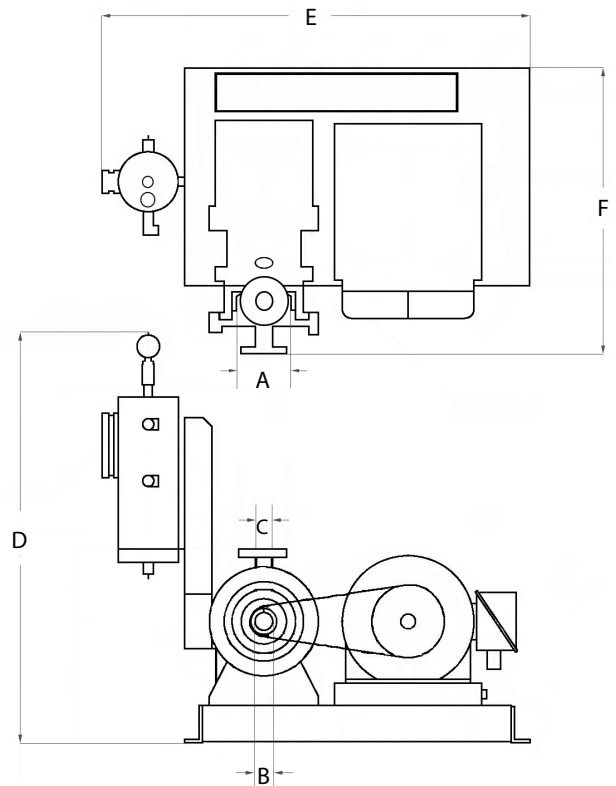
AVAILABLE OPTIONS:

- Higher tip speeds up to 18,000 feet per min.
- Lower speeds and greater torque.
- Rotor/stator fabricated from AL-6XN, Alloy 20 or Hastelloy C-276.
- Jacketed mix chamber for heating and cooling.
- Stainless steel or carbon steel cart with casters.
- Skid mounted recirculating system including vessel, piping and valves.
- Special motors including stainless steel, washdown, and various voltages and frequencies.
- Sanitary design with special seal, polished components and connections.
- Controls including variable frequency drives, explosion-proof operator stations and touchscreen interface.

Series 700 - Direct Driven Models 706-718



Series 700
Belt Driven
Models 703-718



Model	HP	RPM	Rotor Diameter (A)		Inlet Diameter (B)		Outlet Diameter (C)		Overall Height (D)		Overall Length - Belt (E)		Overall Length - Direct (E)		Overall Width (F)		Weight	
			in	mm	in	mm	in	mm	in	mm	in	mm	in	mm	in	mm	lbs	kg
703	10-40	15,000	3	76	0.75	19	0.5	13	41	1,145	32	865	N/A	N/A	30	712	500	227
706	30-75	7,200	6	153	1.5	38	1.5	38	48	1,219	71	1,803	68	1,727	39	990	2,000	907
709	40-100	4,800	9	229	2	51	2	51	48	1,219	54	1,374	86	1,527	40	1,016	2,150	998
712	50-150	3,600	12	305	3	76	3	76	48	1,219	72	1,832	75	1,905	36	915	2,400	1,089
715	75-250	2,880	15	382	3	76	3	76	54	1,371	72	1,832	86	2,184	37	940	2,750	1,247
718	100-300	2,400	18	458	6	153	4	102	60	1,527	78	1,985	90	2,290	48	1,222	3,200	1,452



Charles Ross & Son Company

710 Old Willets Path
Hauppauge, NY 11788
USA

631-234-0500 / 800-243-ROSS(7677)
sales@mixers.com
mixers.com